



Reliable Solutions for Presence & Position Sensing

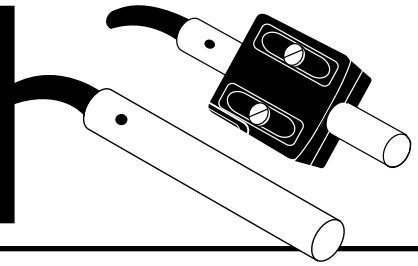
2013 West Meeting Street • Lancaster, SC 29720
1-803-286-8491 • FAX: 1-800-678-6263
www.namcocontrols.com

Cylindicator and Flatpak are registered trademarks, and LP2, LPR, DuraProx, Hardcoat, and C2000 are trademarks of Namco.

6.5 mm
20 mm
34 mm

Inductive Tubular Smooth Barrel

DC
AC



Proximity Sensors

Connector Type	Circuit Description	Housing Material	Housing Length	Shielded Model No.	Unshielded Model No.	Sensing Range	Maximum Load Current	Maximum Leakage Current	Voltage Drop*	Maximum Switching Frequency	Short Circuit Protected
6.5mm DC 10-30V Metal											
6.6' Cable	3W, NPN, NO	Metal	50mm	ET110-71001	—	1mm	200mA	<100µA	<2.0	4KHz	yes
6.6' Cable	3W, PNP, NO	Metal	50mm	ET111-71003	—	1mm	200mA	<100µA	<2.0	4KHz	yes
6.5mm NAMUR 5-25 VDC											
6.6' Cable	2W, Analog	Metal	30mm	ET112-75403	—	1mm	N/A	—	—	1KHz	N/A
20mm DC 10-30V Plastic											
6.6' Cable	3W, NPN, NO	Plastic	77mm	—	ET210-73110	10mm	400mA	<10µA	<2.5	200Hz	yes
6.6' Cable	3W, PNP, NO	Plastic	77mm	—	ET211-73110	10mm	400mA	<10µA	<2.5	200Hz	yes
20mm AC 20-250V Plastic											
6.6' Cable	2W, AC, NO	Plastic	77mm	—	ET220-73410	10mm	400mA	<1.5mA @220 VAC	<8 VAC	25Hz	no
34mm DC 10-30V Plastic											
6.6' Cable	3W, PNP, NO	Plastic	80mm	—	ET211-83110	20mm	400mA	<10µA	<2.5 VDC	100Hz	yes
34mm AC 20-250V Plastic											
6.6' Cable	2W, AC, NO	Plastic	80mm	—	ET220-83410	20mm	400mA	<1.5mA @220 VAC	<8 VAC	25Hz	no

* Across conducting sensor

► Consult factory for normally closed model availability.

Replacement Mounting Brackets	
6.5mm	ET018-20000
20mm	ET018-20010
34mm	ET018-20020



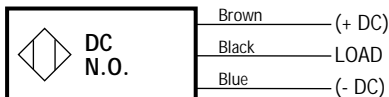
Common Sensor Characteristics

Sensor Diameter	6.5mm	20mm	34mm
Sensing Range (±10%)	1mm	10mm	20mm
Standard Target (mm) (mild steel)	6.5x6.5x1	30x30x1	60x60x1
Temperature Drift (max.)	±10%	±15%	±15%
Repeatability	± 2%		
Hysteresis	3-8% (typical); 15% (max.)		
Ambient Temperature Range	-13°F to +158°F		
Reverse Polarity Protected	yes		
Current Consumption	<10mA		
NEMA Enclosure Type	1,3,4,6,13	1,3,4,4x,6,13	
LED Indicator	red = target		
Metal Housings	Stainless	N/A	
Plastic Housings	N/A	Ultradur®	
Cable Type	PVC		
Shipping Weight	6 oz.	8 oz.	10 oz.

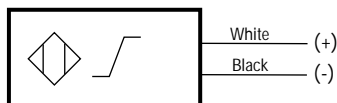
Circuit Drawings

CABLE MODELS

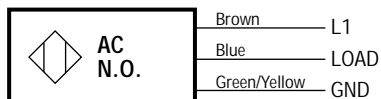
3 Wire DC N.O.



NAMUR

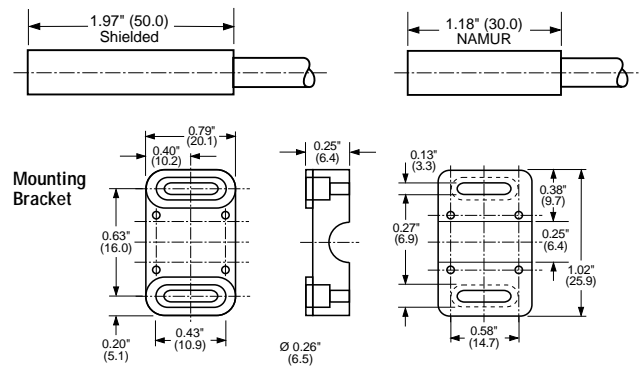


2 Wire AC N.O.

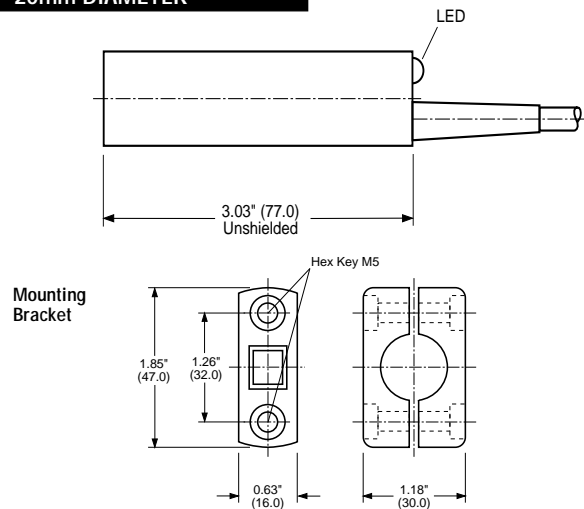


Dimensional Drawings 6.5, 20, 34mm

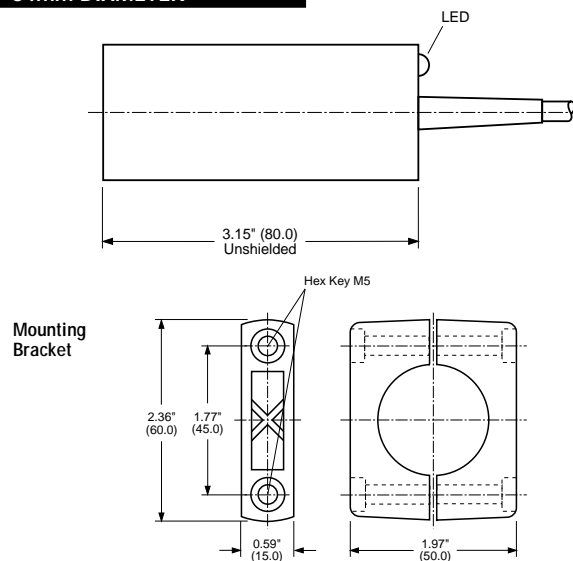
6.5mm DIAMETER



20mm DIAMETER



34mm DIAMETER



Mounting Brackets are included with Smooth Sensors.

NAMCO

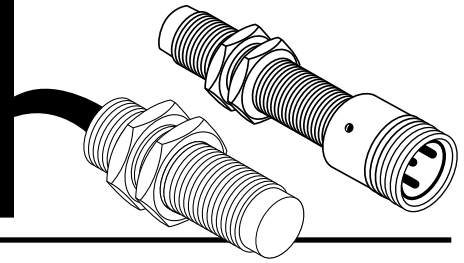
2013 West Meeting Street • Lancaster, SC 29720
1-803-286-8491 • FAX: 1-800-678-6263
www.namcocontrols.com

For technical assistance, call 1-800-NAMTECH

8mm

Inductive Tubular Threaded Barrel

DC



Proximity Sensors

1mm (Shielded) and 2mm (Unshielded) Sensing Ranges

Connector Type	Circuit Description	Housing Material	Housing Length	Shielded Model No.	Unshielded Model No.	Maximum Load Current	Leakage Current	Voltage Drop*	Maximum Switching Frequency		Short Circuit Protected
									Shielded	Unshielded	
DC 10-30V Metal											
4-pin Euro	3W, PNP, NO	Metal	53mm	ET311-10151	ET311-11151	200mA	<10µA	<2.0 VDC	4KHz	2KHz	yes
6.6' Cable	3W, NPN, NO	Metal	50mm	ET110-10110	ET110-11110	200mA	<100µA	<2.0 VDC	4KHz	2KHz	yes
6.6' Cable	3W, PNP, NO	Metal	50mm	ET111-10110	ET111-11110	200mA	<10µA	<2.5 VDC	4KHz	2KHz	yes
NAMUR 5-25 VDC											
6.6' Cable	Analog	Metal	30mm	ET112-10310	—	N/A	—	—	1KHz	—	N/A

* Across conducting sensor

▶ Consult factory for normally closed model availability.



Common Sensor Characteristics

8mm DIAMETER DC SENSORS	
Shielded Sensing Range ($\pm 10\%$)	1mm
Unshielded Sensing Range ($\pm 10\%$)	2mm
Standard Target	8x8x1mm (mild steel)
Repeatability	$\pm 2\%$
Hysteresis	3-8% (typ.); 15% (max.)
Temperature Drift (max.)	$\pm 15\%$
Ambient Temperature Range	-13°F to +158°F
Reverse Polarity Protected	yes
Current Consumption	<10mA
NEMA Enclosure Type	1, 3, 4, 6, 13
LED Indicator	yellow = target
Metal Housings	Chrome Plated Brass
Plastic Housings	N/A
Cable Type	PVC
Shipping Weight	Connector model: 3 oz. Cable model: 8 oz.

Circuit Drawings

EURO CONNECTOR MODELS Male view shown

3 Wire DC N.O.

CABLE MODELS

3 Wire DC N.O.

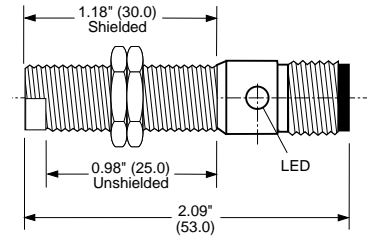
NAMUR MODELS

NAMUR

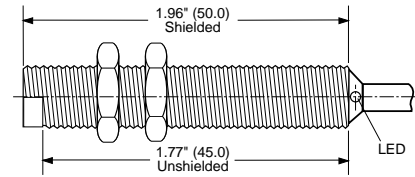
Dimensional Drawings

8mm-DC

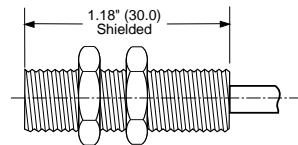
EURO CONNECTOR MODELS Body threads = M8x1



CABLE MODEL



CABLE MODELS-NAMUR



Proximity Sensors



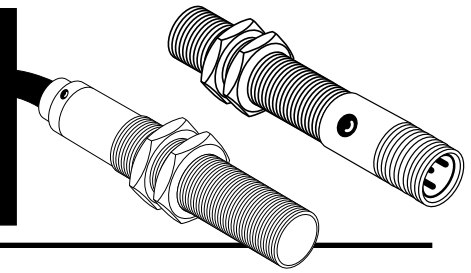
2013 West Meeting Street • Lancaster, SC 29720
1-803-286-8491 • FAX: 1-800-678-6263
www.namcocontrols.com

For technical assistance, call 1-800-NAMTECH

12mm

Inductive Tubular Threaded Barrel

DC



Proximity Sensors

2mm (Shielded) and 4mm (Unshielded) Sensing Ranges

Connector Type	Circuit Description	Housing Material	Housing Length	Shielded Model No.	Unshielded Model No.	Maximum Load Current	Leakage Current	Voltage Drop*	Maximum Switching Frequency		Short Circuit Protected
									Shielded	Unshielded	
DC 10-30V Metal											
4-pin Euro	3W, NPN, NO	Metal	54mm	ET310-22151	ET310-23151	400mA	<10µA	<2.5 VDC	700Hz	400Hz	yes
4-pin Euro	3W, PNP, NO	Metal	54mm	ET311-22151	ET311-23151	400mA	<10µA	<2.5 VDC	700Hz	400Hz	yes
6.6' Cable	3W, NPN, NO	Metal	35mm	ET310-22110	ET310-23110	200mA	<10µA	<2.5 VDC	1200Hz	800Hz	yes
6.6' Cable	3W, NPN, NO	Metal	78mm	ET110-22110	ET110-23110	400mA	<10µA	<2.5 VDC	700Hz	400Hz	yes
6.6' Cable	3W, PNP, NO	Metal	35mm	ET311-22110	ET311-23110	200mA	<10µA	<2.5 VDC	1200Hz	800Hz	yes
6.6' Cable	3W, PNP, NO	Metal	78mm	ET111-22110	ET111-23110	400mA	<10µA	<2.5 VDC	700Hz	400Hz	yes
DC 10-30V Plastic											
6.6' Cable	3W, NPN, NO	Plastic	35mm	ET310-42110	ET310-43110	200mA	<10µA	<2.5 VDC	1200Hz	800Hz	yes
6.6' Cable	3W, NPN, NO	Plastic	75mm	ET210-22110	ET210-23110	400mA	<10µA	<2.5 VDC	700Hz	400Hz	yes
6.6' Cable	3W, PNP, NO	Plastic	50mm	ET311-42110	ET311-43110	200mA	<10µA	<2.5 VDC	1200Hz	800Hz	yes
6.6' Cable	3W, PNP, NO	Plastic	75mm	ET211-22110	ET211-23110	400mA	<10µA	<2.5 VDC	700Hz	400Hz	yes
NAMUR 5-25 VDC											
6.6' Cable	Analog	Metal	30mm	ET112-20310	ET112-21310	N/A	—	—	800Hz	400Hz	N/A
6.6' Cable	Analog	Plastic	30mm	ET212-20310	ET212-21310	N/A	—	—	800Hz	400Hz	N/A

* Across conducting sensor

▶ Consult factory for normally closed model availability.



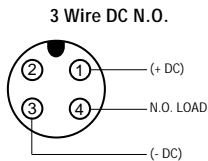
Common Sensor Characteristics

12mm DIAMETER DC SENSORS	
Shielded Sensing Range ($\pm 10\%$)	2mm
Unshielded Sensing Range ($\pm 10\%$)	4mm
Standard Target	12x12x1mm (mild steel)
Repeatability	$\pm 2\%$
Hysteresis	3-8% (typ.); 15% (max.)
Temperature Drift (max.)	$\pm 15\%$
Ambient Temperature Range	-13°F to +158°F
Reverse Polarity Protected	yes
Current Consumption	3W DC = <6mA
NEMA Enclosure Type	
Metal	1, 3, 4, 6, 13
Plastic	1, 3, 4, 4x, 6, 13
LED Indicator	red = target
Metal Housings	Chrome Plated Brass
Plastic Housings	Ultradur®
Cable Type	PVC
Shipping Weight	Connector model: 4 oz. Cable model: 9 oz.

Circuit Drawings

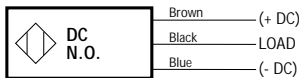
EURO CONNECTOR MODELS

Male view shown

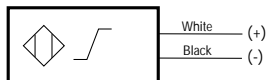


CABLE MODELS

3 Wire DC N.O.



NAMUR MODELS

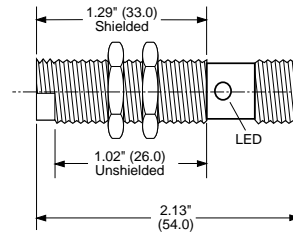


Dimensional Drawings

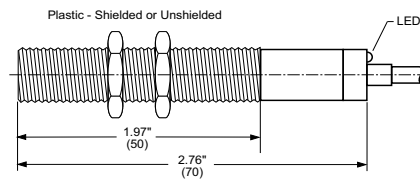
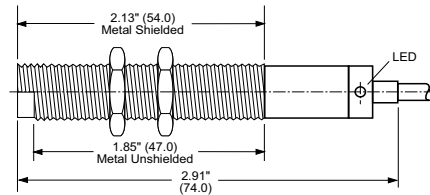
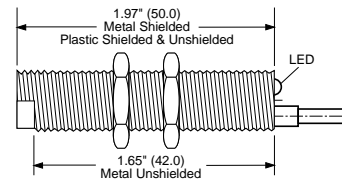
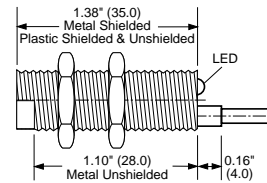
12mm-DC

EURO CONNECTOR MODELS

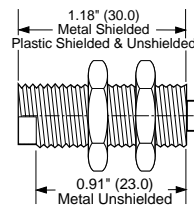
Body threads = M12x1



CABLE MODELS



CABLE MODELS-NAMUR



NAMCO

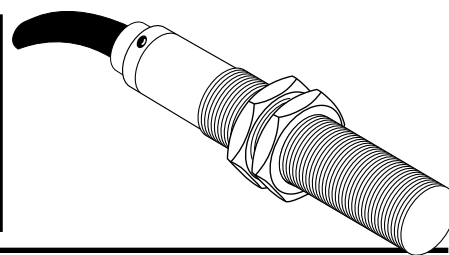
2013 West Meeting Street • Lancaster, SC 29720
1-803-286-8491 • FAX: 1-800-678-6263
www.namcocontrols.com

For technical assistance, call 1-800-NAMTECH

12mm

Inductive Tubular Threaded Barrel

AC



Proximity Sensors

2mm (Shielded) and 4mm (Unshielded) Sensing Ranges

Connector Type	Circuit Description	Housing Material	Housing Length	Shielded Model No.	Unshielded Model No.	Maximum Load Current	Leakage Current @220 VAC	Voltage Drop*	Maximum Switching Frequency		Short Circuit Protected
									Shielded	Unshielded	
AC 80-250V Metal											
3-pin Micro	2W, AC, NO	Metal	73mm	ET320-22420	ET320-23420	200mA	<2.5mA	<11 VAC	25Hz	25Hz	no
3-pin Micro	2W, AC, NO	Metal	86mm	ET120-22420	ET120-23420	200mA	<2.5mA	<11 VAC	25Hz	25Hz	no
6.6' Cable	2W, AC, NO	Metal	54mm	ET320-22410	ET320-23410	200mA	<2.5mA	<11 VAC	25Hz	25Hz	no
6.6' Cable	2W, AC, NO	Metal	78mm	ET120-22410	ET120-23410	200mA	<2.5mA	<11 VAC	25Hz	25Hz	no
AC 80-250V Plastic											
6.6' Cable	2W, AC, NO	Plastic	54mm	ET320-42410	ET320-43410	200mA	<2.5mA	<11 VAC	25Hz	25Hz	no
6.6' Cable	2W, AC, NO	Plastic	75mm	ET220-22410	ET220-23410	200mA	<2.5mA	<11 VAC	25Hz	25Hz	no

* Across conducting sensor

► Consult factory for normally closed model availability.



Common Sensor Characteristics

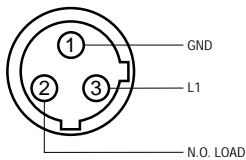
12mm DIAMETER AC SENSORS	
Shielded Sensing Range ($\pm 10\%$)	2mm
Unshielded Sensing Range ($\pm 10\%$)	4mm
Standard Target	12x12x1mm (mild steel)
Repeatability	$\pm 2\%$
Hysteresis	3-8% (typ.); 15% (max.)
Temperature Drift (max.)	$\pm 15\%$
Ambient Temperature Range	-13°F to +158°F
Reverse Polarity Protected	yes
NEMA Enclosure Type	
Metal	1, 3, 4, 6, 13
Plastic	1, 3, 4, 4x, 6, 13
LED Indicator	red = target
Metal Housings	Chrome Plated Brass
Plastic Housings	Ultradur®
Cable Type	PVC
Shipping Weight	Connector model: 4 oz. Cable model: 9 oz.

Circuit Drawings

MICRO CONNECTOR MODELS

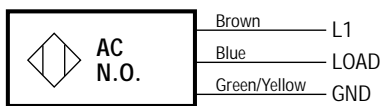
Male view shown

2 Wire AC N.O.



CABLE MODELS

2 Wire AC N.O.

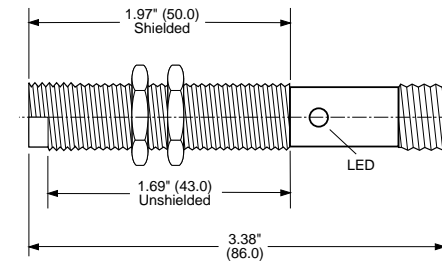
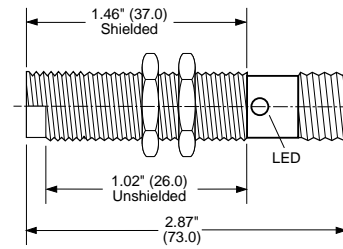


Dimensional Drawings

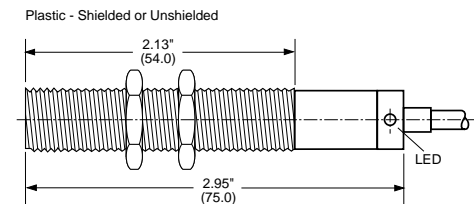
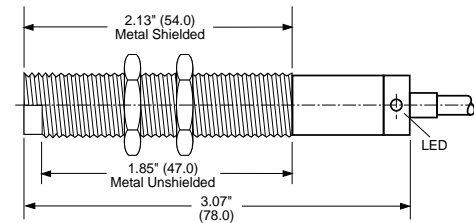
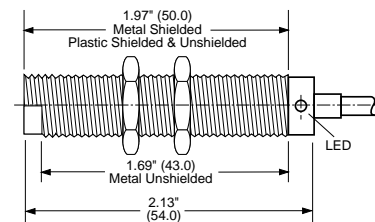
12mm-AC

MICRO CONNECTOR MODELS

Body threads = M12x1



CABLE MODELS



NAMCO

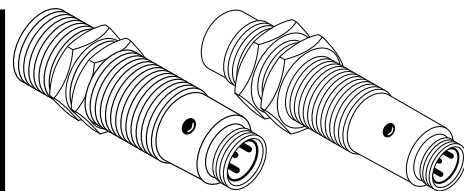
2013 West Meeting Street • Lancaster, SC 29720
1-803-286-8491 • FAX: 1-800-678-6263
www.namcocontrols.com

For technical assistance, call 1-800-NAMTECH

18mm

Inductive Tubular Threaded Barrel

DC



Proximity Sensors

5mm (Shielded) and 8mm (Unshielded) Sensing Ranges

Connector Type	Circuit Description	Housing Material	Housing Length	Shielded Model No.	Unshielded Model No.	Maximum Load Current	Leakage Current	Voltage Drop*	Maximum Switching Frequency		Reverse Polarity Protected
									Shielded	Unshielded	
DC 10-30V Metal											
4-pin Euro	3W, NPN, NO	Metal	76mm	ET310-32151	ET310-33151	400mA	<10µA	<2.5 VDC	300Hz	250Hz	yes
4-pin Euro	3W, PNP, NO	Metal	76mm	ET311-32151	ET311-33151	400mA	<10µA	<2.5 VDC	300Hz	250Hz	yes
4-pin Mini	3W, NPN, NO	Metal	70mm	ET310-32100	ET310-33100	400mA	<10µA	<2.5 VDC	300Hz	250Hz	yes
4-pin Mini	3W, PNP, NO	Metal	66mm	ET311-32100	ET311-33100	400mA	<10µA	<2.5 VDC	300Hz	250Hz	yes
6.6' Cable	3W, NPN, NO	Metal	50mm	ET310-32110	ET310-33110	400mA	<10µA	<2.5 VDC	300Hz	250Hz	yes
6.6' Cable	3W, NPN, NO	Metal	80mm	ET110-32110	ET110-33110	400mA	<10µA	<2.5 VDC	300Hz	250Hz	yes
6.6' Cable	3W, PNP, NO	Metal	50mm	ET311-32110	ET311-33110	400mA	<10µA	<2.5 VDC	300Hz	250Hz	yes
6.6' Cable	3W, PNP, NO	Metal	80mm	ET111-32110	ET111-33110	400mA	<10µA	<2.5 VDC	300Hz	250Hz	yes
DC 10-30V Plastic											
6.6' Cable	3W, NPN, NO	Plastic	50mm	ET310-52110	ET310-53110	400mA	<10µA	<2.5 VDC	300Hz	250Hz	yes
6.6' Cable	3W, NPN, NO	Plastic	80mm	ET210-32110	ET210-33110	400mA	<10µA	<2.5 VDC	300Hz	250Hz	yes
6.6' Cable	3W, PNP, NO	Plastic	50mm	—	ET311-53110	400mA	<10µA	<2.5 VDC	300Hz	250Hz	yes
6.6' Cable	3W, PNP, NO	Plastic	80mm	ET211-32110	ET211-33110	400mA	<10µA	<2.5 VDC	300Hz	250Hz	yes
NAMUR 5-25 VDC											
6.6' Cable	Analog	Metal	30mm	ET112-30310	ET112-31310	N/A	—	—	500Hz	200Hz	N/A
6.6' Cable	Analog	Plastic	30mm	ET212-30310	ET212-31310	N/A	—	—	500Hz	200Hz	N/A

* Across conducting sensor

▶ Consult factory for normally closed model availability.

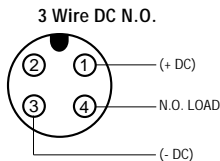


Common Sensor Characteristics

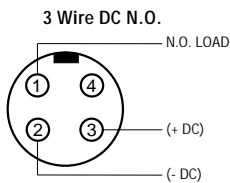
18mm DIAMETER DC SENSORS	
Shielded Sensing Range ($\pm 10\%$)	5mm
Unshielded Sensing Range ($\pm 10\%$)	8mm
Standard Target (mm) (mild steel)	18x18x1 (Shielded) 24x24x1 (Unshielded)
Repeatability	$\pm 2\%$
Hysteresis	3-8% (typ.); 15% (max.)
Temperature Drift (max.)	$\pm 15\%$
Ambient Temperature Range	-13°F to +158°F
Reverse Polarity Protected	yes
Current Consumption	<1.5mA
NEMA Enclosure Type	
Metal	1, 3, 4, 6, 13
Plastic	1, 3, 4, 4x, 6, 13
LED Indicator	red = target
Metal Housings	Chrome Plated Brass
Plastic Housings	Ultradur®
Cable Type	PVC
Shipping Weight	Connector model: 4 oz. Cable model: 9 oz.

Circuit Drawings

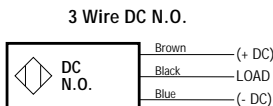
EURO CONNECTOR MODELS Male views shown



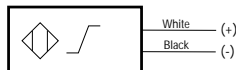
MINI CONNECTOR MODELS Male views shown



CABLE MODELS



NAMUR MODELS

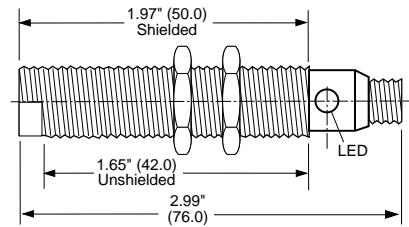


Dimensional Drawings

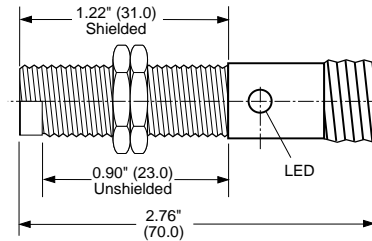
18mm-DC

EURO CONNECTOR MODELS

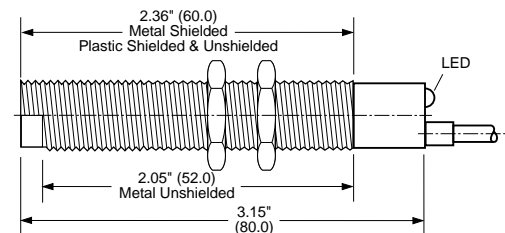
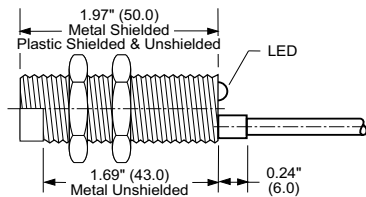
Body threads - M18x1



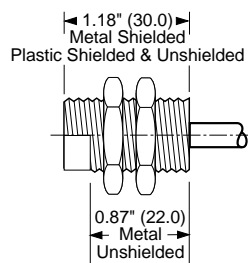
MINI CONNECTOR MODELS



CABLE MODELS



CABLE MODELS-NAMUR



Proximity Sensors



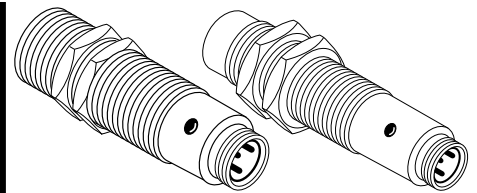
2013 West Meeting Street • Lancaster, SC 29720
1-803-286-8491 • FAX: 1-800-678-6263
www.namcocontrols.com

For technical assistance, call 1-800-NAMTECH

18mm

Inductive Tubular Threaded Barrel

AC



Proximity Sensors

5mm (Shielded) and 8mm (Unshielded) Sensing Ranges

Connector Type	Circuit Description	Housing Material	Housing Length	Shielded Model No.	Unshielded Model No.	Maximum Load Current	Leakage Current @220 VAC	Voltage Drop*	Maximum Switching Frequency		Short Circuit Protected
									Shielded	Unshielded	
AC 20-250V											
3-pin Micro	2W, AC, NO	Metal	92mm	ET120-32420	ET120-33420	400mA	<1.5mA	<8 VAC	25Hz	25Hz	no
3-pin Mini	2W, AC, NO	Metal	94mm	ET120-32400	ET120-33400	400mA	<1.5mA	<8 VAC	25Hz	25Hz	no
6.6' Cable	2W, AC, NO	Metal	80mm	ET120-32410	ET120-33410	400mA	<1.5mA	<8 VAC	25Hz	25Hz	no
6.6' Cable	2W, AC, NO	Plastic	80mm	ET220-32410	ET220-33410	400mA	<1.5mA	<8 VAC	25Hz	25Hz	no
AC 80-250V											
3-pin Micro	2W, AC, NO	Metal	80mm	ET320-32420	ET320-33420	200mA	<2.5mA	<11 VAC	25Hz	25Hz	no
3-pin Mini	2W, AC, NO	Metal	83mm	ET320-32400	ET320-33400	200mA	<2.5mA	<11 VAC	25Hz	25Hz	no
6.6' Cable	2W, AC, NO	Metal	50mm	ET320-32410	ET320-33410	200mA	<2.5mA	<11 VAC	25Hz	25Hz	no
6.6' Cable	2W, AC, NO	Plastic	50mm	ET320-52410	ET320-53410	200mA	<2.5mA	<11 VAC	25Hz	25Hz	no

* Across conducting sensor

▶ Consult factory for normally closed model availability.



Common Sensor Characteristics

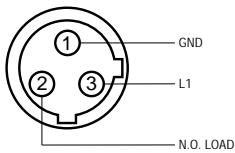
18mm DIAMETER AC SENSORS	
Shielded Sensing Range ($\pm 10\%$)	5mm
Unshielded Sensing Range ($\pm 10\%$)	8mm
Standard Target (mm) (mild steel)	18x18x1 (Shielded) 24x24x1 (Unshielded)
Repeatability	$\pm 2\%$
Hysteresis	3-8% (typ.); 15% (max.)
Temperature Drift (max.)	$\pm 15\%$
Ambient Temperature Range	-13°F to +158°F
Reverse Polarity Protected	yes
NEMA Enclosure Type	
Metal	1, 3, 4, 6, 13
Plastic	1, 3, 4, 4x, 6, 13
LED Indicator	red = target
Metal Housings	Chrome Plated Brass
Plastic Housings	Ultradur®
Cable Type	PVC
Shipping Weight	Connector model: 4 oz. Cable model: 9 oz.

Circuit Drawings

MICRO CONNECTOR MODELS

Male view shown

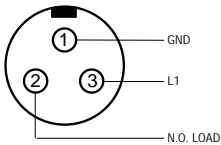
2 Wire AC N.O.



MINI CONNECTOR MODELS

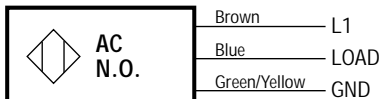
Male view shown

2 Wire AC N.O.



CABLE MODELS

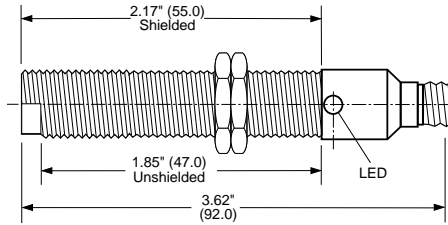
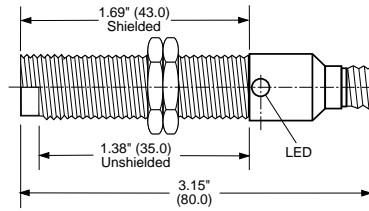
2 Wire AC N.O.



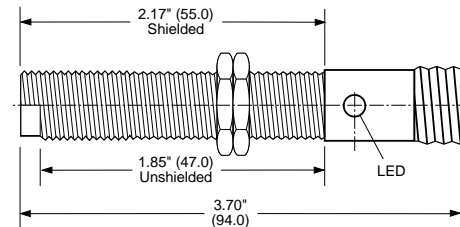
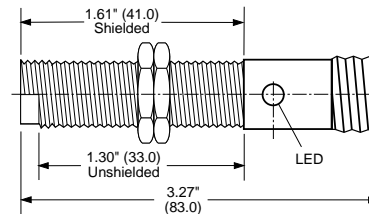
Dimensional Drawings

MICRO CONNECTOR MODELS

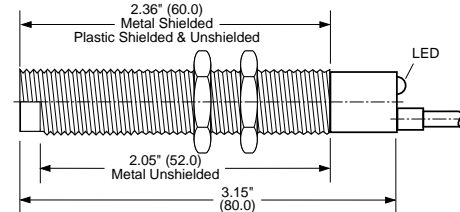
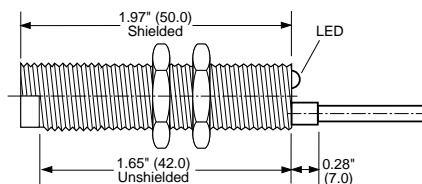
Body threads = M18x1



MINI CONNECTOR MODELS



CABLE MODELS



NAMCO

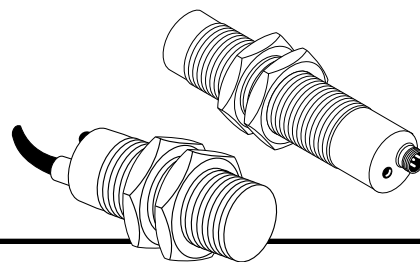
2013 West Meeting Street • Lancaster, SC 29720
1-803-286-8491 • FAX: 1-800-678-6263
www.namcocontrols.com

For technical assistance, call 1-800-NAMTECH

30mm

Inductive Tubular Threaded Barrel

DC



Proximity Sensors

10mm (Shielded) and 15mm (Unshielded) Sensing Ranges

Connector Type	Circuit Description	Housing Material	Housing Length	Shielded Model No.	Unshielded Model No.	Maximum Load Current	Leakage Current	Voltage Drop*	Maximum Switching Frequency		Short Circuit Protected
									Shielded	Unshielded	
DC 10-30V Metal											
4-pin Euro	3W, NPN, NO	Metal	73mm	ET310-62151	ET310-63151	400mA	<10µA	<2.5 VDC	200Hz	100Hz	yes
4-pin Euro	3W, PNP, NO	Metal	73mm	ET311-62151	ET311-63151	400mA	<10µA	<2.5 VDC	200Hz	100Hz	yes
4-pin Mini	3W, NPN, NO	Metal	78mm	ET110-42100	ET110-43100	400mA	<10µA	<2.5 VDC	200Hz	100Hz	yes
4-pin Mini	3W, PNP, NO	Metal	78mm	ET111-42100	ET111-43100	400mA	<10µA	<2.5 VDC	200Hz	100Hz	yes
6.6' Cable	3W, NPN, NO	Metal	50mm	ET310-62110	ET310-63110	400mA	<10µA	<2.5 VDC	200Hz	100Hz	yes
6.6' Cable	3W, NPN, NO	Metal	80mm	ET110-42110	ET110-43110	400mA	<10µA	<2.5 VDC	200Hz	100Hz	yes
6.6' Cable	3W, PNP, NO	Metal	50mm	ET311-62110	ET311-63110	400mA	<10µA	<2.5 VDC	200Hz	100Hz	yes
6.6' Cable	3W, PNP, NO	Metal	80mm	ET111-42110	ET111-43110	400mA	<10µA	<2.5 VDC	200Hz	100Hz	yes
DC 10-30V Plastic											
6.6' Cable	3W, NPN, NO	Plastic	50mm	ET310-72110	ET310-73110	400mA	<10µA	<2.5 VDC	200Hz	100Hz	yes
6.6' Cable	3W, NPN, NO	Plastic	80mm	ET210-42110	ET210-43110	400mA	<10µA	<2.5 VDC	200Hz	100Hz	yes
6.6' Cable	3W, PNP, NO	Plastic	50mm	ET311-72110	ET311-73110	400mA	<10µA	<2.5 VDC	200Hz	100Hz	yes
6.6' Cable	3W, PNP, NO	Plastic	80mm	—	ET211-43110	400mA	<10µA	<2.5 VDC	200Hz	100Hz	yes
NAMIUR 5-25 VDC											
6.6' Cable	Analog	Metal	40mm (Sh) 42mm (UnSh)	ET112-40310	ET112-41310	N/A	—	—	300Hz	100Hz	N/A
6.6' Cable	Analog	Plastic	40mm	ET212-40310	ET212-41310	N/A	—	—	300Hz	100Hz	N/A

* Across conducting sensor

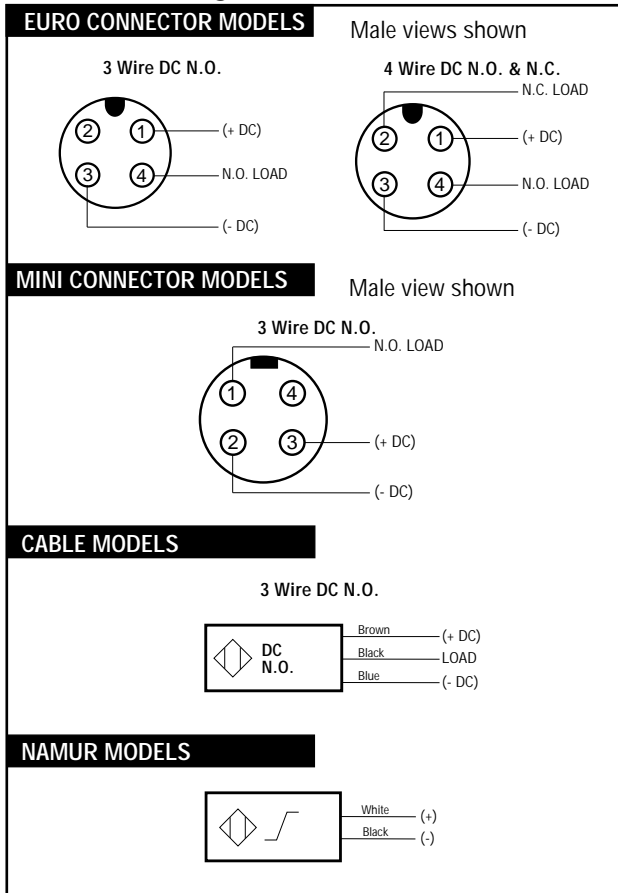
► Consult factory for normally closed model availability.



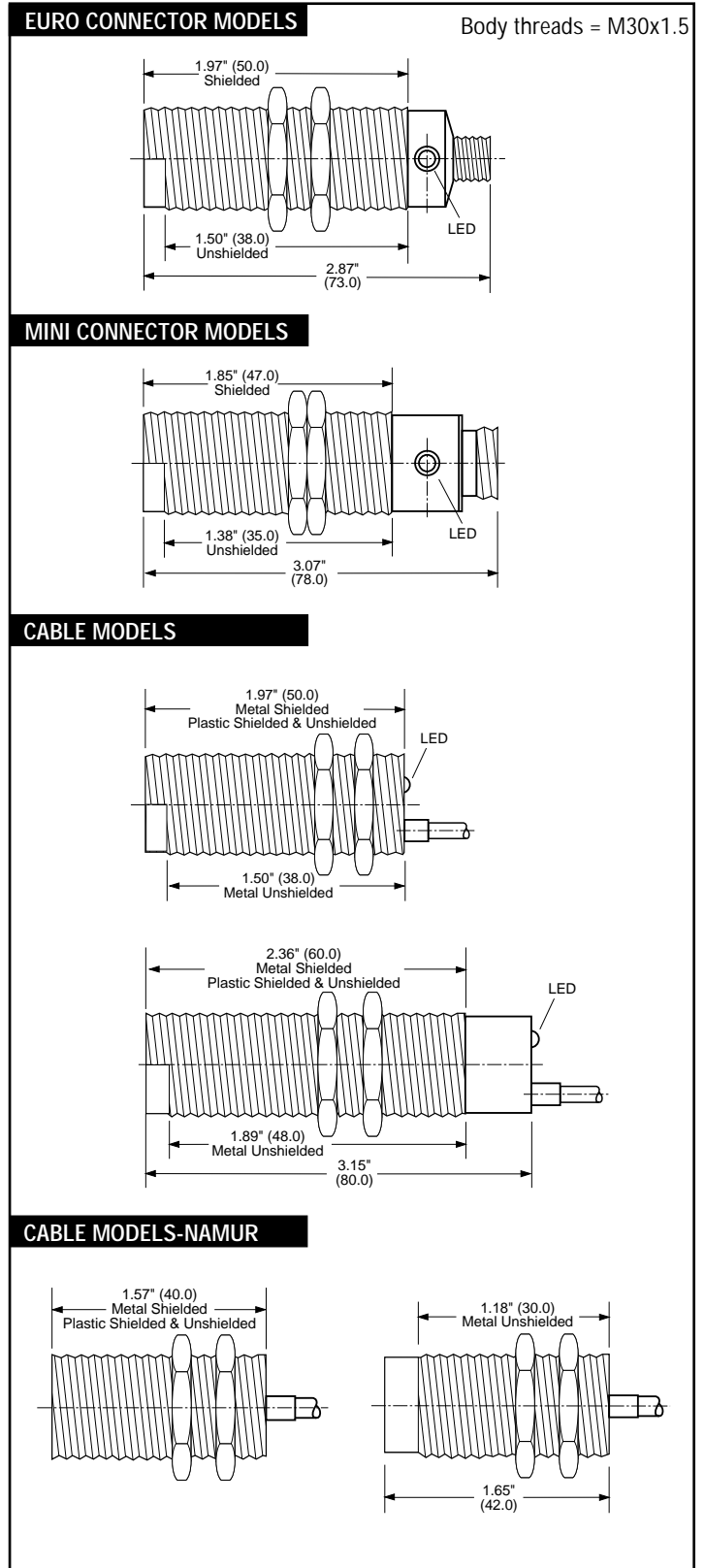
Common Sensor Characteristics

30mm DIAMETER DC SENSORS	
Shielded Sensing Range ($\pm 10\%$)	10mm
Unshielded Sensing Range ($\pm 10\%$)	15mm
Standard Target (mm) (mild steel)	30x30x1 (Shielded) 45x45x1 (Unshielded)
Repeatability	$\pm 2\%$
Hysteresis	3-8% (typ.); 15% (max.)
Range Drift over Temperature	$\pm 15\%$
Operating Temperature Range	-13°F to +158°F
Reverse Polarity Protected	yes
Current Consumption	<1.5mA
NEMA Enclosure Type	
Metal	1, 3, 4, 6, 13
Plastic	1, 3, 4, 4x, 6, 13
LED Indicator	red = target
Metal Housings	Chrome Plated Brass
Plastic Housings	Ultradur®
Cable Type	PVC
Shipping Weight	Connector model: 5 oz. Cable model: 10 oz.

Circuit Drawings



Dimensional Drawings



NAMCO

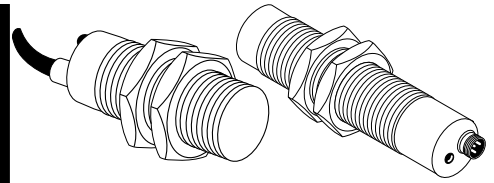
2013 West Meeting Street • Lancaster, SC 29720
1-803-286-8491 • FAX: 1-800-678-6263
www.namcocontrols.com

For technical assistance, call 1-800-NAMTECH

30mm

Inductive Tubular Threaded Barrel

AC



Proximity Sensors

10mm (Shielded) and 15mm (Unshielded) Sensing Ranges

Connector Type	Circuit Description	Housing Material	Housing Length	Shielded Model No.	Unshielded Model No.	Maximum Load Current	Leakage Current	Voltage Drop*	Maximum Switching Frequency		Short Circuit Protected
									Shielded	Unshielded	
AC 20-250V Metal											
3-pin Micro	2W, AC, NO	Metal	78mm	ET120-42420	—	400mA	<1.5mA	<8 VAC	25Hz	25Hz	no
3-pin Mini	2W, AC, NO	Metal	82mm	ET120-42400	—	400mA	<1.5mA	<8 VAC	25Hz	25Hz	no
6.6' Cable	2W, AC, NO	Metal	50mm	ET320-62410	ET320-63410	400mA	<1.5mA	<8 VAC	25Hz	25Hz	no
6.6' Cable	2W, AC, NO	Metal	80mm	ET120-42410	ET120-43410	400mA	<1.5mA	<8 VAC	25Hz	25Hz	no
AC 20-250V Plastic											
6.6' Cable	2W, AC, NO	Plastic	80mm	ET220-42410	ET220-43410	400mA	<1.5mA	<8 VAC	25Hz	25Hz	no
6.6' Cable	2W, AC, NO	Plastic	50mm	ET320-72410	ET320-73410	400mA	<1.5mA	<8 VAC	25Hz	25Hz	no

* Across conducting sensor

► Consult factory for normally closed model availability.



Common Sensor Characteristics

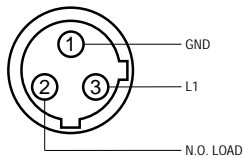
30mm DIAMETER AC SENSORS	
Shielded Sensing Range ($\pm 10\%$)	10mm
Unshielded Sensing Range ($\pm 10\%$)	15mm
Standard Target (mm) (mild steel)	30x30x1 (Shielded) 45x45x1 (Unshielded)
Repeatability	$\pm 2\%$
Hysteresis	3-8% (typ.); 15% (max.)
Range Drift over Temperature	$\pm 15\%$
Operating Temperature Range	-13°F to +158°F
Reverse Polarity Protected	yes
NEMA Enclosure Type	
Metal	1, 3, 4, 6, 13
Plastic	1, 3, 4, 4x, 6, 13
LED Indicator	red = target
Metal Housings	Chrome Plated Brass
Plastic Housings	Ultradur®
Cable Type	PVC
Shipping Weight	Connector model: 5 oz. Cable model: 10 oz.

Circuit Drawings

MICRO CONNECTOR MODELS

Male view shown

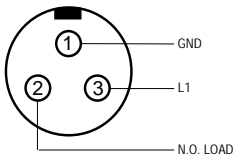
2 Wire AC N.O.



MINI CONNECTOR MODELS

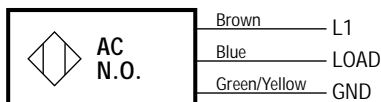
Male view shown

2 Wire AC N.O.



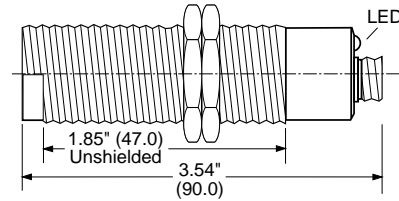
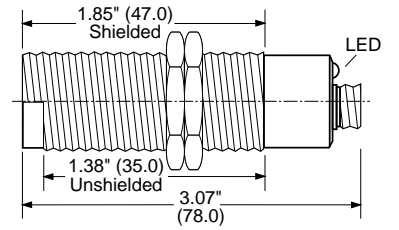
CABLE MODELS

2 Wire AC N.O.

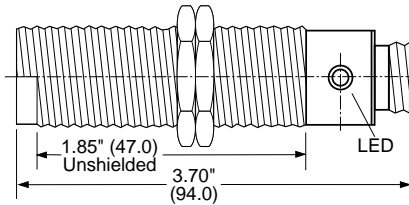
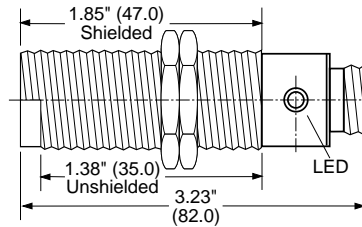


Dimensional Drawings

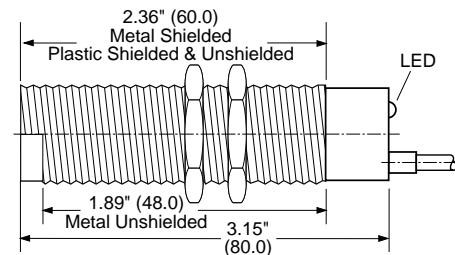
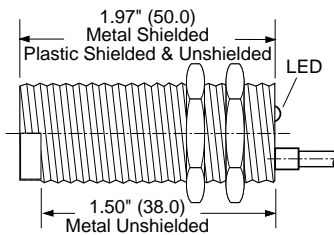
MICRO CONNECTOR MODELS



MINI CONNECTOR MODELS



CABLE MODELS



NAMCO

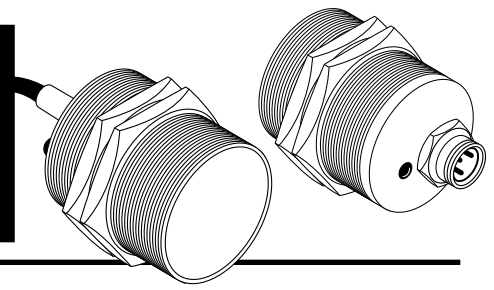
2013 West Meeting Street • Lancaster, SC 29720
1-803-286-8491 • FAX: 1-800-678-6263
www.namcocontrols.com

For technical assistance, call 1-800-NAMTECH

47mm

Inductive Tubular Threaded Barrel

DC AC



Proximity Sensors

20mm (Shielded) Sensing Range

Connector Type	Circuit Description	Housing Material	Housing Length	Shielded Model No.	Unshielded Model No.	Maximum Load Current	Leakage Current	Voltage Drop*	Maximum Switching Frequency		Short Circuit Protected
									Shielded	Unshielded	
DC 10-30V Metal											
4-pin Mini	3W, NPN, NO	Metal	83mm	ET110-92100	—	400mA	<10µA	<2.5 VDC	50Hz	—	yes
4-pin Mini	3W, PNP, NO	Metal	83mm	ET111-92100	—	400mA	<10µA	<2.5 VDC	50Hz	—	yes
6.6' Cable	3W, NPN, NO	Metal	60mm	ET110-92110	—	400mA	<10µA	<2.5 VDC	50Hz	—	yes
6.6' Cable	3W, PNP, NO	Metal	60mm	ET111-92110	—	400mA	<10µA	<2.5 VDC	50Hz	—	yes
AC 20-250V Metal											
3-pin Mini	2W, AC, NO	Metal	83mm	ET120-92400	—	400mA	<1.8mA	<8 VAC	25Hz	—	no
6.6' Cable	2W, AC, NO	Metal	60mm	ET120-92410	—	400mA	<1.8mA	<8 VAC	25Hz	—	no

* Across conducting sensor

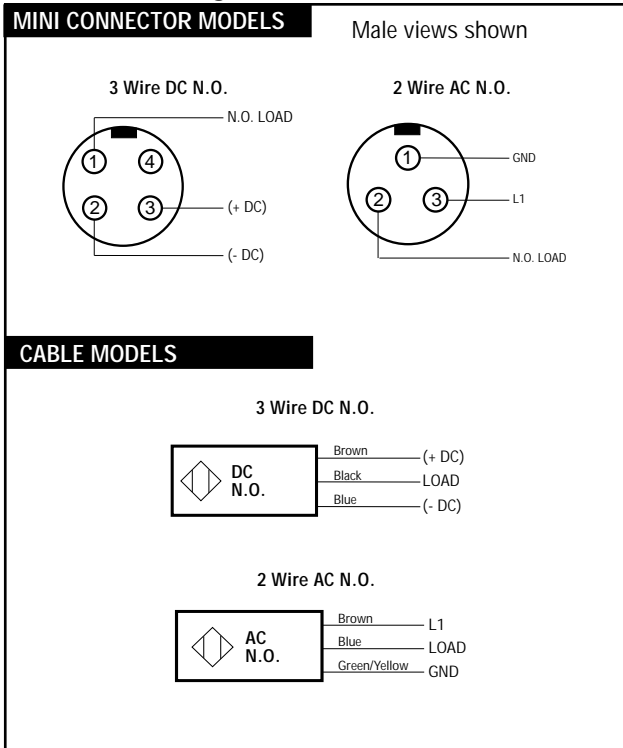
▶ Consult factory for normally closed model availability.



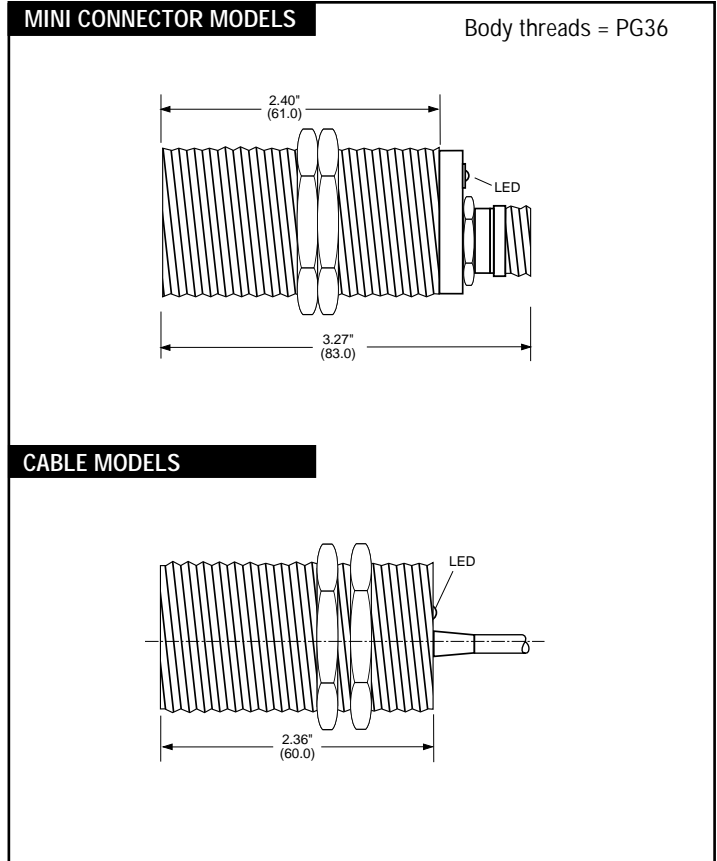
Common Sensor Characteristics

47mm DIAMETER DC & AC SENSORS	
Shielded Sensing Range ($\pm 10\%$)	20mm
Unshielded Sensing Range ($\pm 10\%$)	N/A
Standard Target (mm) (mild steel)	60x60x1
Repeatability	$\pm 2\%$
Hysteresis	3-8% (typ.); 15% (max.)
Range Drift over Temperature	$\pm 15\%$
Operating Temperature Range	-13°F to +158°F
Reverse Polarity Protected	yes
Current Consumption (3-wire DC only)	<7mA
NEMA Enclosure Type	1, 3, 4, 6, 13
LED Indicator	red = target
Metal Housings	Chrome Plated Brass
Cable Type	PVC
Shipping Weight	Connector model: 6 oz. Cable model: 11 oz.

Circuit Drawings



Dimensional Drawings 47mm-DC & AC



NAMCO

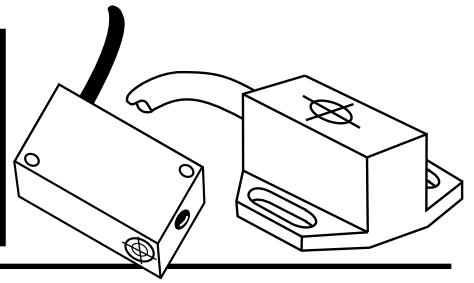
2013 West Meeting Street • Lancaster, SC 29720
1-803-286-8491 • FAX: 1-800-678-6263
www.namcocontrols.com

For technical assistance, call 1-800-NAMTECH

Small Plastic

Inductive Rectangular

DC AC



Proximity Sensors

Connector Type	Circuit Description	Housing Dimensions	Shielded Model No.	Unshielded Model No.	Sensing Range	Maximum Load Current	Leakage Current	Voltage Drop*	Maximum Switching Frequency	Short Circuit Protected
MINIATURE FLAT PACK DC 10-30V										
6.6' Cable	3W, NPN, NO	17x35x35mm	—	ET910-23110	10mm	400mA	<10µA	<2.5 VDC	200Hz	yes
MINIATURE FLAT PACK AC 80-250V										
6.6' Cable	2W, AC, NO	17x35x35mm	—	ET920-23410	10mm	200mA	<2.5mA @220 VAC	<11VAC @200mA	25Hz	no
SMALL RECTANGULAR DC 10-30V										
6.6' Cable	3W, NPN, NO	12x26x40mm	ET910-12110	—	2mm	400mA	<10µA	<2.5 VDC	1200Hz	yes
6.6' Cable	3W, NPN, NO	12x26x40mm	—	ET910-13110	4mm	400mA	<10µA	<2.5 VDC	800Hz	yes
6.6' Cable	3W, PNP, NO	12x26x40mm	ET911-12110	—	2mm	400mA	<10µA	<2.5 VDC	1200Hz	yes
6.6' Cable	3W, PNP, NO	12x26x40mm	—	ET911-13110	4mm	400mA	<10µA	<2.5 VDC	800Hz	yes
SMALL RECTANGULAR AC 20-250V										
6.6' Cable	2W, AC, NO	12x26x40mm	ET920-12410	—	2mm	400mA	<1.5mA @220 VAC	<8 VAC @400mA	25Hz	no
6.6' Cable	2W, AC, NO	12x26x40mm	—	ET920-13410	4mm	400mA	<1.5mA @220 VAC	<8 VAC @400mA	25Hz	no
SMALL RECTANGULAR NAMUR 5-25 VDC										
6.6' Cable	Analog	12x26x40mm	ET912-10310	—	2mm	N/A	—	—	800Hz	N/A
6.6' Cable	Analog	12x26x40mm	—	ET912-11310	4mm	N/A	—	—	400Hz	N/A

* Across conducting sensor

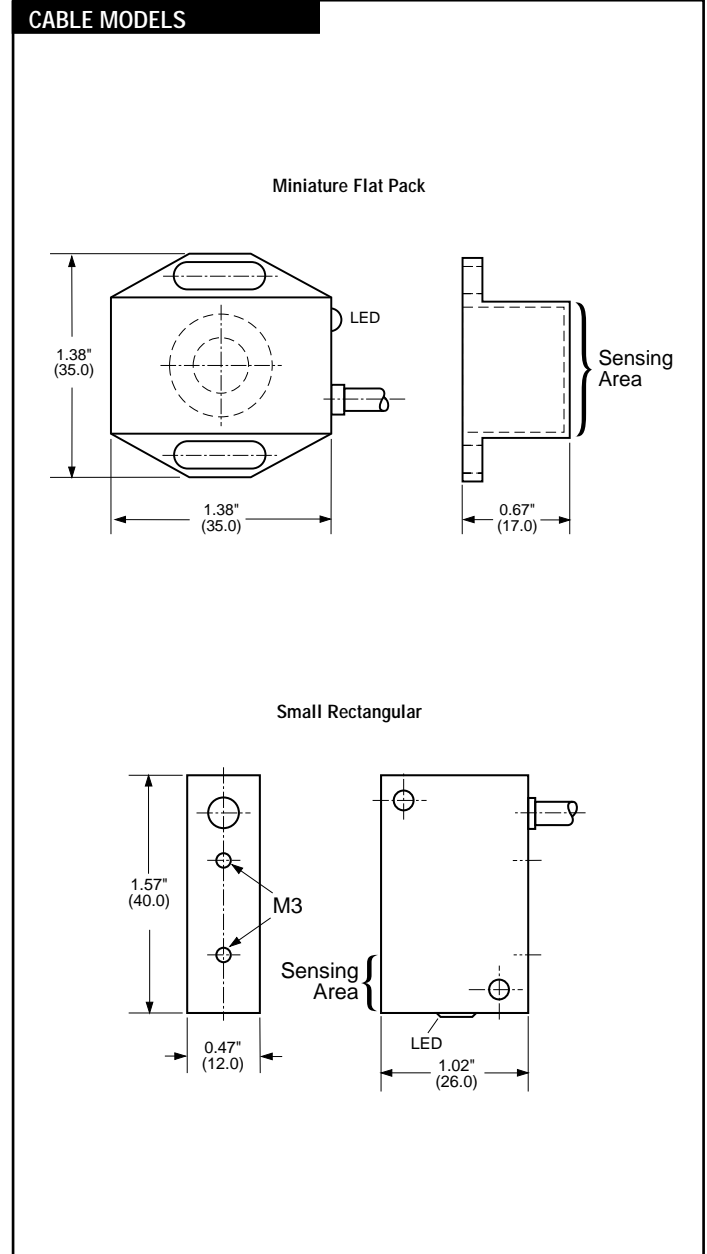
► Consult factory for normally closed model availability.



Common Sensor Characteristics

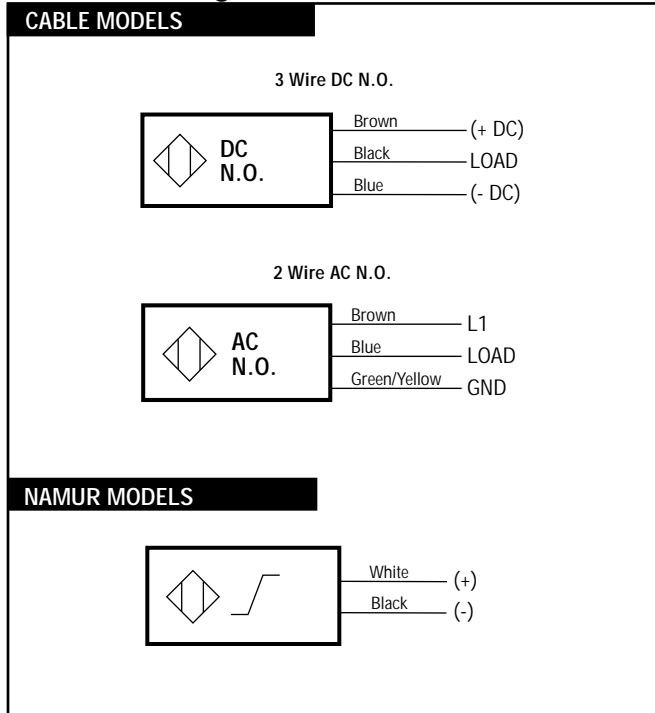
SMALL PLASTIC RECTANGULAR DC & AC SENSORS	
Shielded Sensing Range ($\pm 10\%$)	2mm
Unshielded Sensing Ranges ($\pm 10\%$)	4mm & 10mm
Standard Target (mm) (mild steel)	12x12x1 (2mm Shielded) 16x16x1 (4mm Unshielded) 30x30x1 (10mm Unshielded)
Repeatability	$\pm 1\%$ (Shielded) $\pm 2\%$ (Unshielded)
Hysteresis	3-8% (typ.); 15% (max.)
Range Drift over Temperature	$\pm 15\%$
Operating Temperature Range	-13°F to +158°F
Reverse Polarity Protected	yes
Current Consumption (3-wire DC only)	<1.5mA
NEMA Enclosure Type	1, 3, 4, 4x, 6, 13
LED Indicator	red = target
Plastic Housings	Ultradur®
Cable Type	PVC
Shipping Weight	10 oz.

Dimensional Drawings



Proximity Sensors

Circuit Drawings



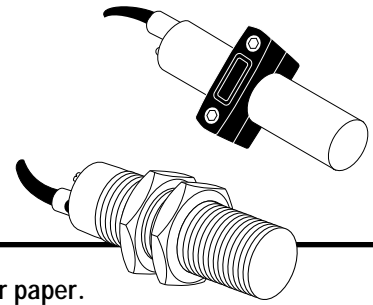
NAMCO

2013 West Meeting Street • Lancaster, SC 29720
1-803-286-8491 • FAX: 1-800-678-6263
www.namcocontrols.com

For technical assistance, call 1-800-NAMTECH

Capacitive Sensors

DC
AC



For sensing metallic and non-metallic objects such as liquids, glass, plastic, powders, or paper.

Proximity Sensors

0-70mm (Unshielded) and 3-10mm (Shielded) Adjustable Sensing Ranges

Connector Type	Circuit Description	Housing Material	Shielded Model No.	Unshielded Model No.	Maximum Load Current @ 140°F	Maximum Load Current @ 176°F	Leakage Current	Voltage Drop*	Maximum Switching Frequency	Short Circuit Protected
18mm Threaded Tubular 2-8mm Adjustable DC 10-55V										
6.6' Cable	3W, NPN, NO	Plastic	—	ET710-33110	200mA	100mA	<10µA	<2.5 VDC	300Hz	yes
6.6' Cable	3W, PNP, NO	Plastic	—	ET711-33110	200mA	100mA	<10µA	<2.5 VDC	300Hz	yes
18mm Threaded Tubular 2-8mm Adjustable AC 20-250V										
6.6' Cable	2W, AC, NO	Plastic	—	ET720-33410	200mA	100mA	<2mA @250VAC	<8 VAC	15Hz	no
30mm Threaded Tubular 5-15mm Adjustable DC 10-55V										
6.6' Cable	3W, NPN, NO	Metal	ET710-42110	—	200mA	100mA	<10µA	<2.5 VDC	100Hz	yes
6.6' Cable	3W, PNP, NO	Metal	ET711-42110	—	200mA	100mA	<10µA	<2.5 VDC	100Hz	yes
30mm Threaded Tubular 5-15mm Adjustable AC 20-250V										
6.6' Cable	2W, AC, NO	Metal	ET720-42410	—	200mA	100mA	<2mA @250VAC	<8 VAC	15Hz	no
30mm Threaded Tubular 8-20mm Adjustable DC 10-55V										
6.6' Cable	3W, NPN, NO	Metal	—	ET710-43110	200mA	100mA	<10µA	<2.5 VDC	100Hz	yes
6.6' Cable	3W, PNP, NO	Metal	—	ET711-43110	200mA	100mA	<10µA	<2.5 VDC	100Hz	yes
6.6' Cable	3W, NPN, NO	Plastic	—	ET710-53110	200mA	100mA	<10µA	<2.5 VDC	100Hz	yes
6.6' Cable	3W, PNP, NO	Plastic	—	ET711-53110	200mA	100mA	<10µA	<2.5 VDC	100Hz	yes
30mm Threaded Tubular 8-20mm Adjustable AC 20-250V										
6.6' Cable	2W, AC, NO	Metal	—	ET720-43410	200mA	100mA	<2mA @250VAC	<8 VAC	15Hz	no
6.6' Cable	2W, AC, NO	Plastic	—	ET720-53410	200mA	100mA	<2mA @250VAC	<8 VAC	15Hz	no
34mm Smooth Tubular 0-20mm Adjustable DC 10-55V										
6.6' Cable	3W, NPN, NO	Plastic	ET710-82110	ET710-83110	200mA	100mA	<10µA	<3 VDC	100Hz	yes
6.6' Cable	3W, PNP, NO	Plastic	—	ET711-83110	200mA	100mA	<10µA	<3 VDC	100Hz	yes
34mm Smooth Tubular 0-20mm Adjustable AC 20-250V										
6.6' Cable	2W, AC, NO	Plastic	—	ET720-83410	200mA	100mA	<2mA @250VAC	<8 VAC	15Hz	no

* Across conducting sensor

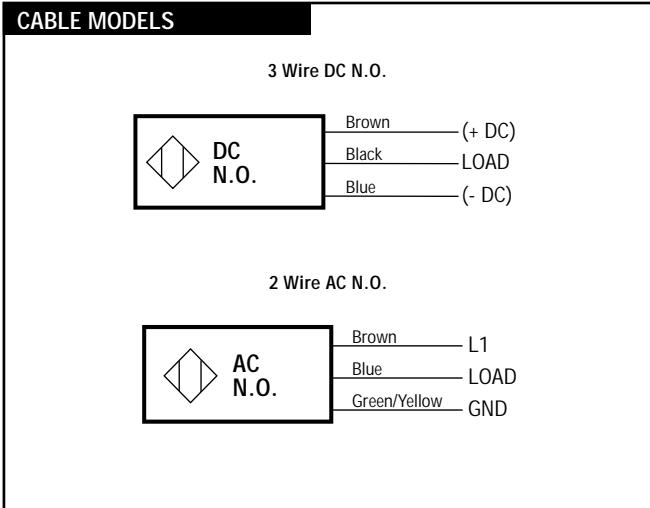
► Consult factory for normally closed model availability.



Common Sensor Characteristics

CAPACITIVE SENSORS	
Shielded Sensing Range	3-10mm
Unshielded Sensing Range	0-70mm
Standard Target (mm) (mild steel)	24x24x1 (2-8 Unshielded Range) 45x45x1 (3-10mm Shielded Range) 60x60x1 (0-20mm Unshielded Range) 210x210x1 (20-70mm Unshielded Range)
Repeatability	±5%
Hysteresis	3-20%
Temperature Drift (max.)	± 20%
Ambient Temperature Range	-13°F to +176°F (18mm & 34mm) -13°F to +140°F (30mm & Flat Pack)
Reverse Polarity Protected	yes
Current Consumption	18mm & 34mm DC: <7mA 30mm & 34mm AC: <2mA 30mm & Flat Pack DC: <10mA
NEMA Enclosure Type	Metal: 1, 12, 13 Plastic: 1, 4, indoor, 12, 13
LED Indicator	red = target
Metal Housings	Chrome Plated Brass
Plastic Housings	Ultradur®
Shipping Weight	18mm: 8 oz. 30mm: 10 oz. 34mm: 11 oz. (Add 5 oz. for 6' Cable)

Circuit Drawings



Dimensional Drawings

DC & AC

Proximity Sensors

18mm MODELS Body threads = M18x1

30mm MODELS Body threads = M30x1.5

34mm MODELS

MOUNTING BRACKET

Part No. ET018-20020
Included with sensors

Hex Key M5



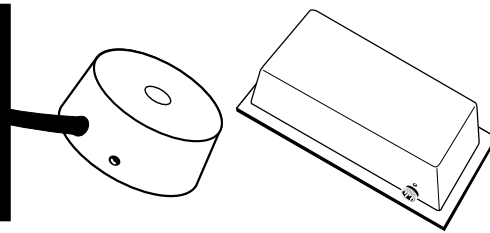
2013 West Meeting Street • Lancaster, SC 29720
1-803-286-8491 • FAX: 1-800-678-6263
www.namcocontrols.com

For technical assistance, call 1-800-NAMTECH

Plastic

Inductive Flat Pack

DC AC



Proximity Sensors

These ultra long range sensors are ideal when exact positioning of large objects is not possible.

20-250mm Adjustable (Unshielded) Sensing Ranges

Connector Type	Circuit Description	Housing Material	Shielded Model No.	Unshielded Model No.	Maximum Load Current	Leakage Current	Voltage Drop*	Maximum Switching Frequency	Short Circuit Protected
Round 20-50mm Adjustable DC 10-55V									
6.6' Cable	3W, NPN, NO	Plastic	—	ER510-25121	400mA	<10µA	<2.5 VDC @ 400mA	30Hz	yes
6.6' Cable	3W, PNP, NO	Plastic	—	ER510-25123	400mA	<10µA	<2.5 VDC @ 400mA	30Hz	yes
Round 20-50mm Adjustable AC 80-250V									
6.6' Cable	2W, AC, NO	Plastic	—	ER520-25165	400mA	<2mA @ 220 VAC	<8 VAC @ 400mA	8Hz	no
Round 30-70mm Adjustable DC 10-30V									
6.6' Cable	3W, NPN, NO	Plastic	—	ER510-27021	400mA	<10µA	<2.5 VDC @ 400mA	30Hz	yes
6.6' Cable	3W, PNP, NO	Plastic	—	ER510-27023	400mA	<10µA	<2.5 VDC @ 400mA	30Hz	yes
Round 30-70mm Adjustable AC 80-250V									
6.6' Cable	2W, AC, NO	Plastic	—	ER520-27065**	400mA	<2mA @ 220 VAC	<8 VAC @ 400mA	8Hz	no
Round 40-100mm Adjustable DC 10-30V									
4-pin Mini	3W, NPN, NO	Plastic	—	ER510-21221	400mA	<10µA	<2.5 VDC @ 400mA	20Hz	yes
4-pin Mini	3W, PNP, NO	Plastic	—	ER510-21223	400mA	<10µA	<2.5 VDC @ 400mA	20Hz	yes
6.6' Cable	3W, NPN, NO	Plastic	—	ER510-21021	400mA	<10µA	<2.5 VDC @ 400mA	20Hz	yes
6.6' Cable	3W, PNP, NO	Plastic	—	ER510-21023	400mA	<10µA	<2.5 VDC @ 400mA	20Hz	yes
Round 40-100mm Adjustable AC 80-250V									
3-pin Mini	2W, AC, NO	Plastic	—	ER520-21265**	400mA	<2mA @ 220 VAC	<8 VAC @ 400mA	8Hz	no
6.6' Cable	2W, AC, NO	Plastic	—	ER520-21065**	400mA	<2mA @ 220 VAC	<8 VAC @ 400mA	8Hz	no
Rectangular 70-150mm Adjustable AC/DC 38-250V									
3-pin Mini	2W, AC/DC, NO	Plastic	—	ER520-86401**	400mA	<2mA @ 220 VAC	<11 VAC	10Hz	yes
6.6' Cable	2W, AC/DC, NO	Plastic	—	ER520-86411**	400mA	<2mA @ 220 VAC	<11 VAC	10Hz	yes
Rectangular 100-250mm Adjustable AC/DC 38-250V									
3-pin Mini	2W, AC/DC, NO	Plastic	—	ER520-87401**	400mA	<2mA @ 220 VAC	<11 VAC	5Hz	yes
6.6' Cable	2W, AC/DC, NO	Plastic	—	ER520-87411**	400mA	<2mA @ 220 VAC	<11 VAC	5Hz	yes

* Across conducting sensor

** Without Mounting Plate

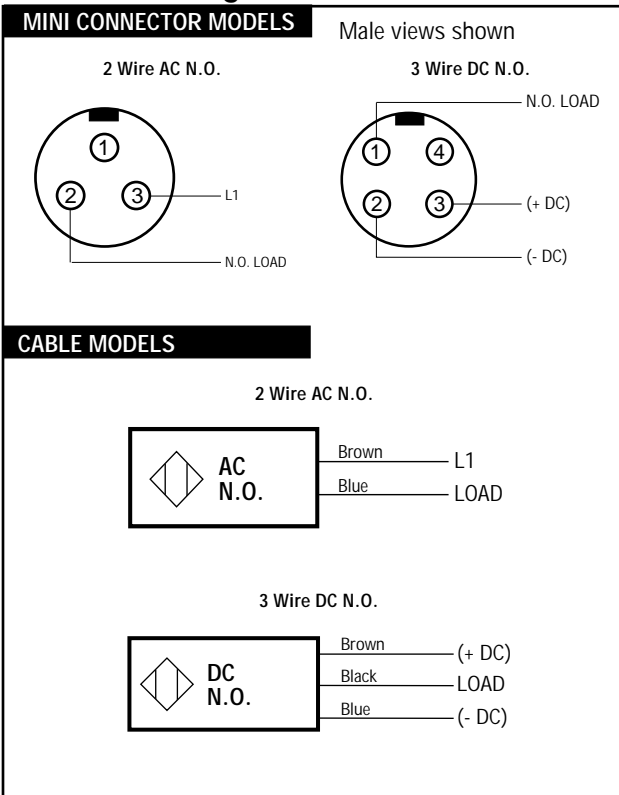
► Consult factory for normally closed model availability.



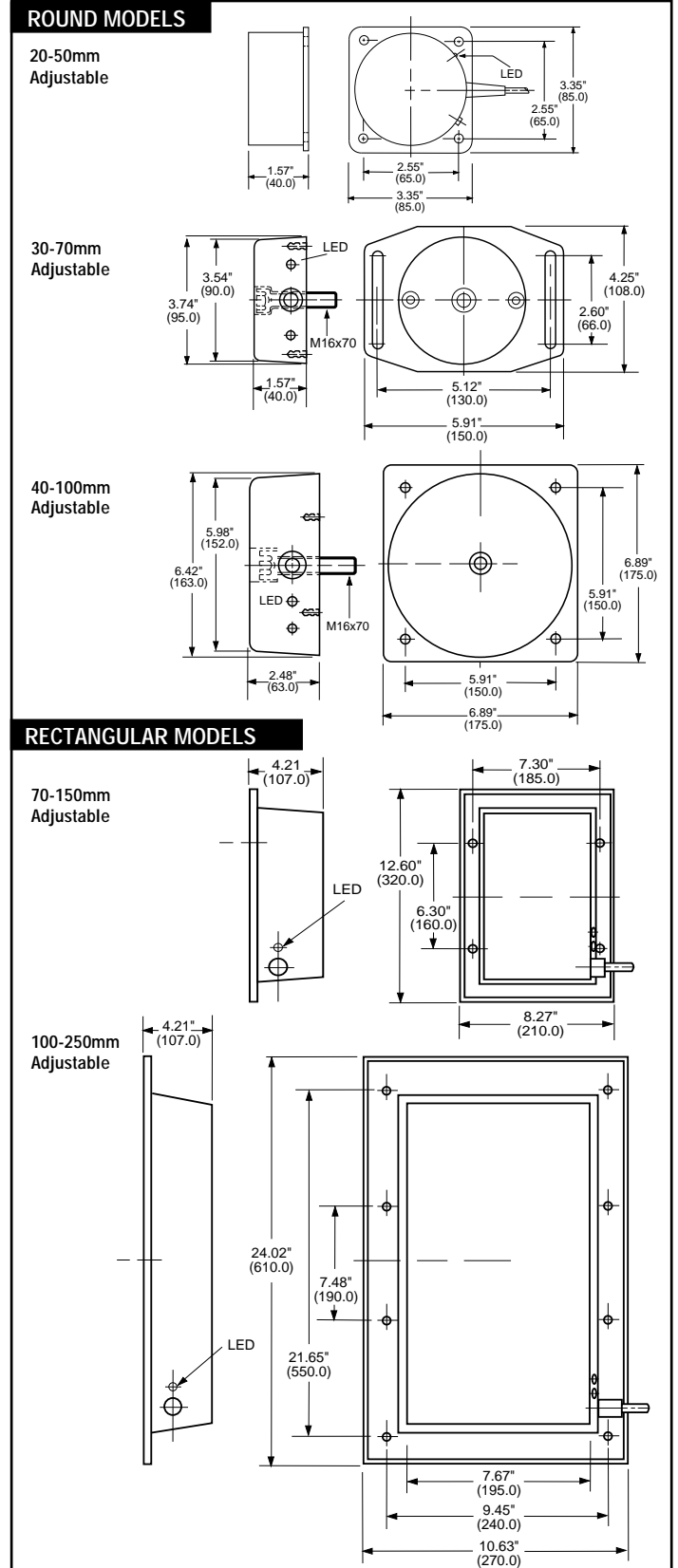
Common Sensor Characteristics

PLASTIC FLAT PACK DC & AC SENSORS	
Unshielded Sensing Range	20-250mm Adjustable
Standard Target (mm) (mild steel)	150x150x1 (20-50mm range) 210x210x1 (30-70mm range) 300x300x1 (40-100mm range) 450x450x1 (70-150mm range) 600x600x1 (100-250mm range)
Repeatability	± 2%
Hysteresis	3-8% (typ.); 15% (max.)
Temperature Drift (max.)	±15%
Ambient Temperature Range	-13°F to +158°F
Reverse Polarity Protected	yes
Current Consumption	<6mA (DC)
NEMA Enclosure Type	1, 12, 13
LED Indicator	red = target
Plastic Housings	Noryl®
Shipping Weight	Connector model: 5 lb. Cable model: 5 lb. 5 oz.

Circuit Drawings



Dimensional Drawings



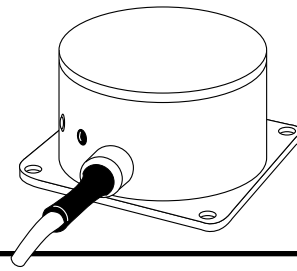
2013 West Meeting Street • Lancaster, SC 29720
1-803-286-8491 • FAX: 1-800-678-6263
www.namcocontrols.com

For technical assistance, call 1-800-NAMTECH

Round Metal

Inductive Flat Pack

DC AC



Proximity Sensors

These long range sensors are shielded and not susceptible to side sensing of surrounding metal.

20-90mm (Shielded) Sensing Ranges

Connector Type	Circuit Description	Housing Material	Shielded Model No.	Unshielded Model No.	Maximum Load Current	Leakage Current	Voltage Drop*	Maximum Switching Frequency	Short Circuit Protected
20mm Sensing Range DC 10-30V									
6.6' Cable	3W, NPN, NO	Metal	ER510-80130	—	400mA	<10µA	<2.5 VDC	30Hz	yes
6.6' Cable	3W, PNP, NO	Metal	ER511-80130	—	400mA	<10µA	<2.5 VDC	30Hz	yes
20mm Sensing Range AC 20-250V									
6.6' Cable	2W, AC, NO	Metal	ER520-80430**	—	400mA	<1.5mA @220 VAC	<8 VAC @400mA	25Hz	no
20-45mm Adjustable Sensing Range DC 10-55V									
4-pin Mini	3W, NPN, NO	Metal	ER510-81120	—	400mA	<10µA	<2.5 VDC @400mA	30Hz	yes
4-pin Mini	3W, PNP, NO	Metal	ER511-81120	—	400mA	<10µA	<2.5 VDC @400mA	30Hz	yes
6.6' Cable	3W, NPN, NO	Metal	ER510-81130	—	400mA	<10µA	<2.5 VDC @400mA	30Hz	yes
6.6' Cable	3W, PNP, NO	Metal	ER511-81130	—	400mA	<10µA	<2.5 VDC @400mA	30Hz	yes
20-45mm Adjustable Sensing Range AC 80-250V									
3-pin Mini	2W, AC, NO	Metal	ER520-81420**	—	400mA	<2mA	<8 VAC @400mA	10Hz	no
6.6' Cable	2W, AC, NO	Metal	ER520-81430**	—	400mA	<2mA	<8 VAC @400mA	10Hz	no
45-90mm Adjustable Sensing Range DC 10-55V									
4-pin Mini	3W, NPN, NO	Metal	ER510-82120	—	400mA	<10µA	<2.5 VDC @400mA	30Hz	yes
4-pin Mini	3W, PNP, NO	Metal	ER511-82120	—	400mA	<10µA	<2.5 VDC @400mA	30Hz	yes
6.6' Cable	3W, NPN, NO	Metal	ER510-82130	—	400mA	<10µA	<2.5 VDC @400mA	30Hz	yes
6.6' Cable	3W, PNP, NO	Metal	ER511-82130	—	400mA	<10µA	<2.5 VDC @400mA	30Hz	yes
45-90mm Adjustable Sensing Range AC 80-250V									
3-pin Mini	2W, AC, NO	Metal	ER520-82420**	—	400mA	<2.5mA @220 VAC	<8 VAC @400mA	10Hz	no
6.6' Cable	2W, AC, NO	Metal	ER520-82430**	—	400mA	<2.5mA @220 VAC	<8 VAC @400mA	10Hz	no

* Across conducting sensor

** Without Mounting Plate

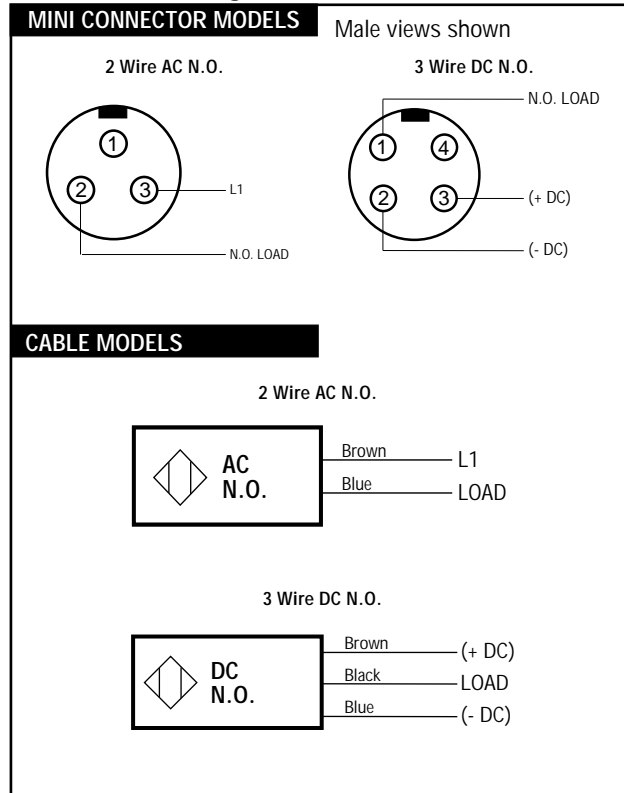
► Consult factory for normally closed model availability.



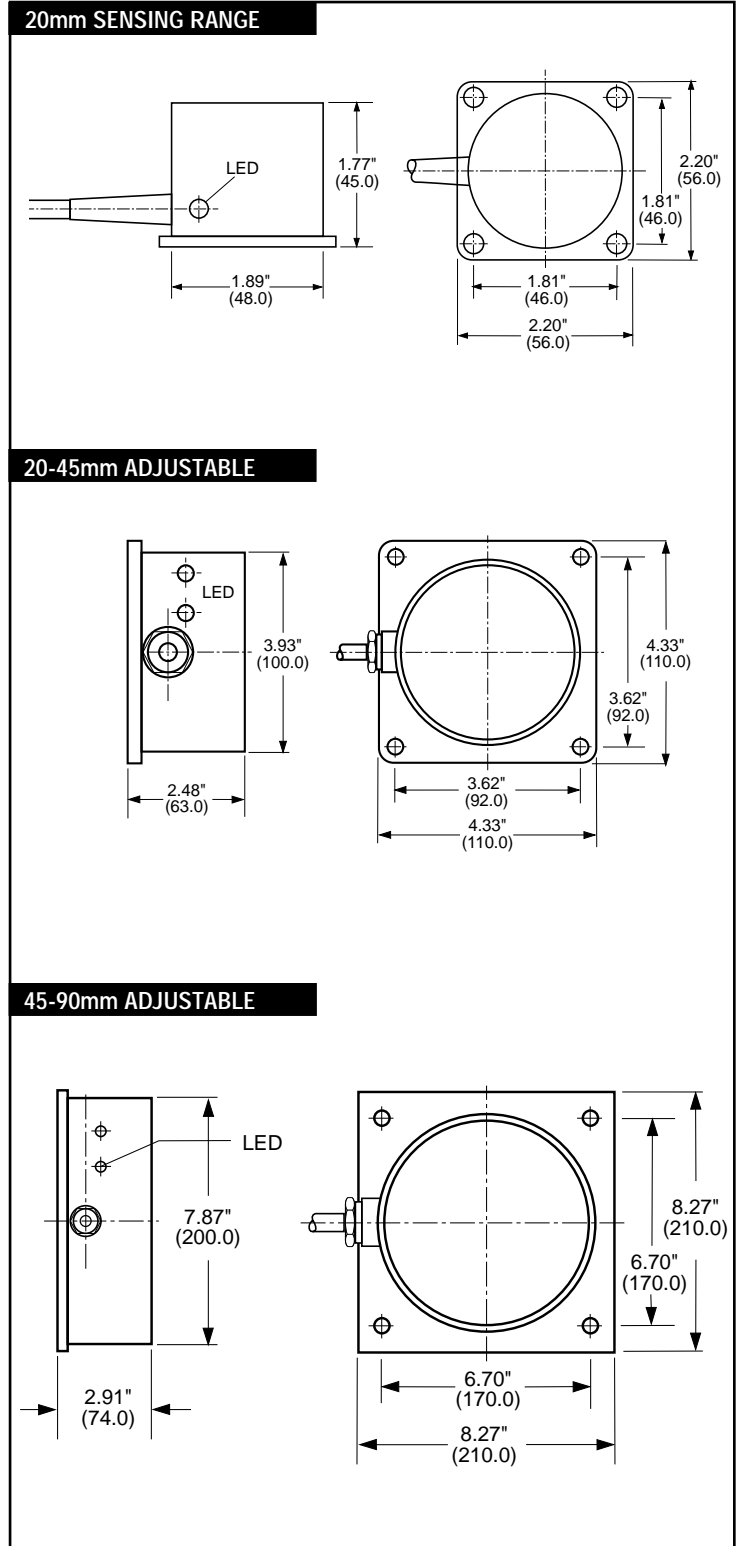
Common Sensor Characteristics

ROUND METAL FLAT PACK DC & AC SENSORS	
Shielded Sensing Range	20-90mm
Standard Target (mm) (mild steel)	60x60x1 (20mm Range) 135x135x1 (20-45mm Range) 270x270x1 (45-90mm Range)
Repeatability	± 2%
Hysteresis	3-8% (typ.); 15% (max.)
Temperature Drift (max.)	±15%
Ambient Temperature Range	-13°F to +158°F
Reverse Polarity Protected	yes
Current Consumption	<1.5mA
NEMA Enclosure Type	1, 3, 4, 4x
LED Indicator	red = target
Metal Housings	Aluminum
Shipping Weight	Connector model: 2 lb. Cable model: 2 lb. 5 oz.

Circuit Drawings



Dimensional Drawings



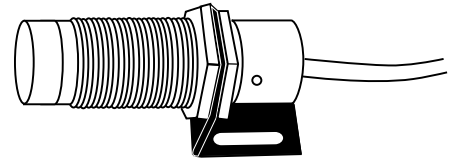
NAMCO

2013 West Meeting Street • Lancaster, SC 29720
1-803-286-8491 • FAX: 1-800-678-6263
www.namcocontrols.com

For technical assistance, call 1-800-NAMTECH

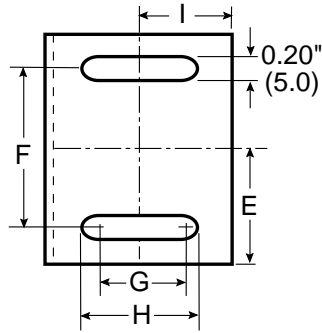
Brackets,
etc.

Proximity Sensor Accessories

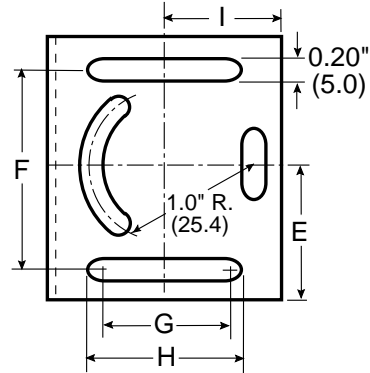


Proximity Sensors

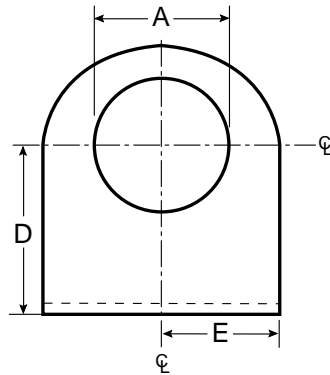
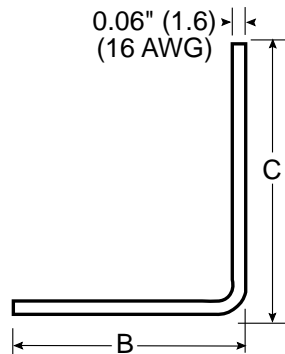
12-47mm TUBULAR MOUNTING BRACKETS



12-30mm Base



47mm Base



12-47mm Side and Front

Model No.	Sensor Diameter	Hole Diameter	Depth	Height	Height to Center	Width to Center	Slot Centers	Drill Centers	Slot Length	Depth Center	Material
		A	B	C	D	E	F	G	H	I	
EE972-01803	8mm	0.38" (9.6)	1.00" (25.4)	1.25" (31.8)	0.75" (19.1)	0.50" (12.7)	0.51" (13.0)	0.36" (9.1)	0.56" (14.2)	0.50" (12.7)	C. F. Steel
EE972-01804	12mm	0.50" (12.7)	1.00" (25.4)	1.25" (31.8)	0.75" (19.1)	0.50" (12.7)	0.51" (13.0)	0.36" (9.1)	0.56" (14.2)	0.50" (12.7)	C. F. Steel
EE972-01835	18mm	0.76" (19.5)	1.00" (25.4)	1.51" (38.2)	0.88" (22.3)	0.63" (15.8)	0.80" (20.3)	0.46" (11.6)	0.66" (16.7)	0.56" (14.2)	C. F. Steel
EE972-01807	30mm	1.25" (31.8)	1.50" (38.1)	1.92" (48.6)	1.09" (27.6)	0.83" (20.9)	1.16" (29.3)	0.80" (20.3)	1.00" (25.4)	0.75" (19.0)	C. F. Steel
EE972-02001	47mm	1.86" (47.2)	1.50" (38.1)	2.84" (72.0)	1.59" (40.3)	1.25" (31.8)	2.00" (50.8)	0.80" (20.3)	1.00" (25.4)	0.75" (19.0)	C. F. Steel

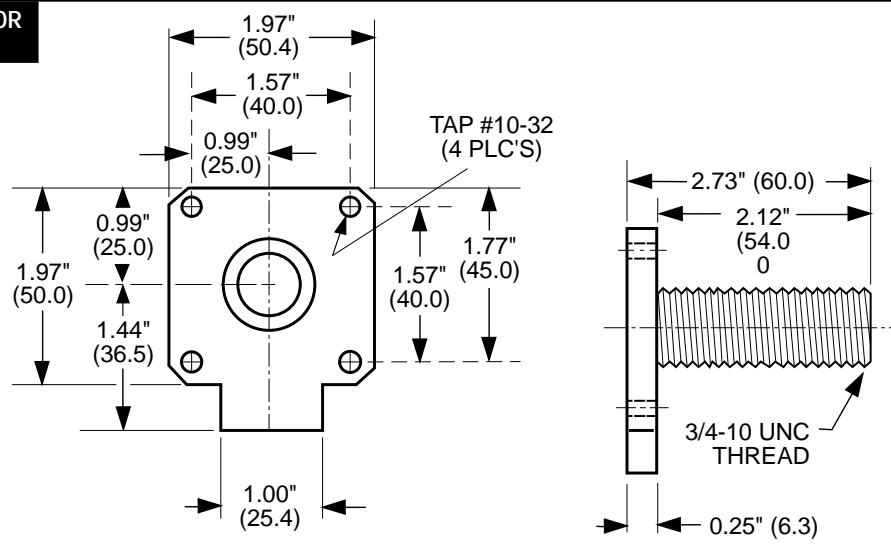
25mm ADJUSTABLE EXTENDED RANGE SENSOR MOUNTING BRACKET KIT

Part No. EE972-01860

Allows 25mm Proximity Sensors to be adjusted similarly to a standard tubular sensor. Kit includes (4) #10-32 socket head cap screws and (2) hex jam nuts.

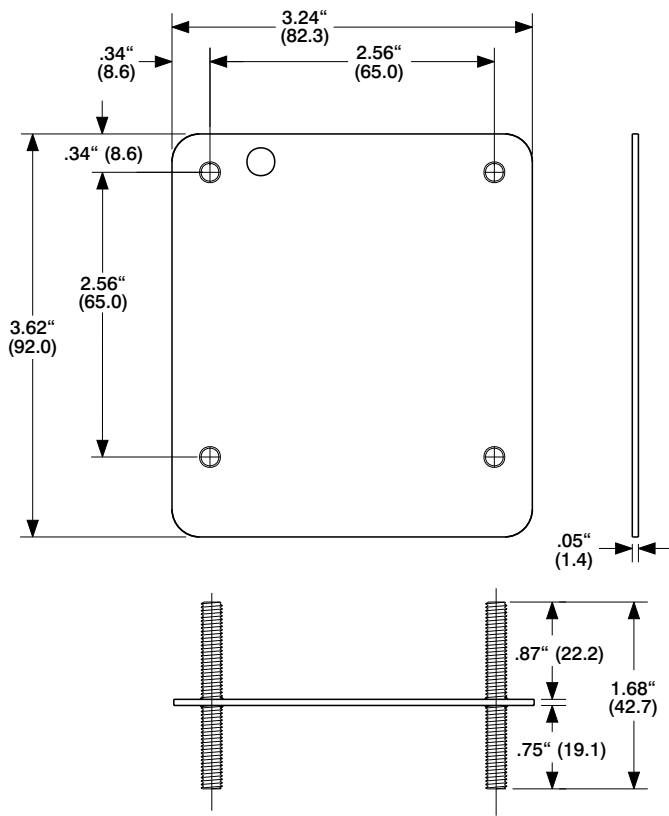
Part No. EE972-01861

Bracket only.



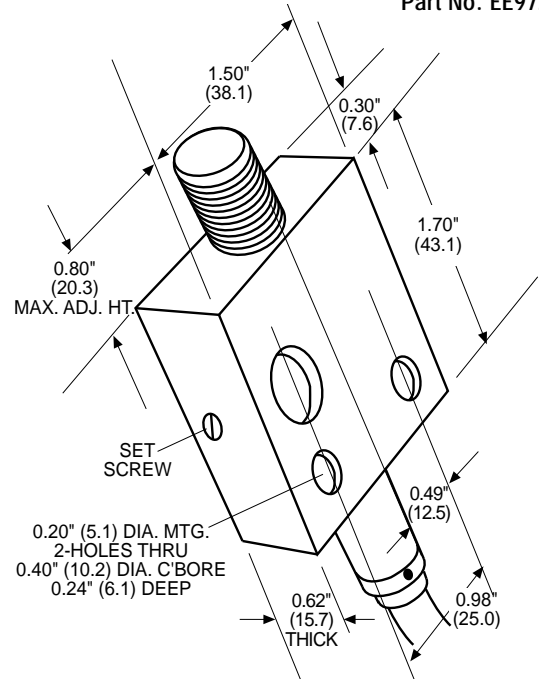
40mm FLATPAK BRACKET

Part No. EE972-01859



12mm TUBULAR BRACKET

Part No. EE972-01834



Continued on next page. →



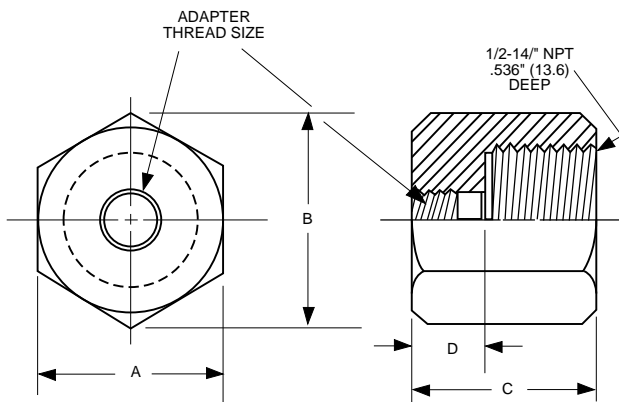
2013 West Meeting Street • Lancaster, SC 29720
 1-803-286-8491 • FAX: 1-800-678-6263
www.namcocontrols.com

For technical assistance, call 1-800-NAMTECH

Brackets, etc.

Proximity Sensor Accessories

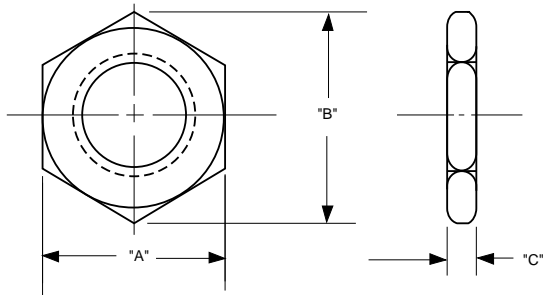
CONDUIT ADAPTERS



Adapter Thread Size (mm)	HEX SIZE				Model No.
	Flats	Corners	Length	Depth	
	A	B	C	D	
8	1.00" (25.4)	1.15" (29.2)	1.00" (25.4)	0.25" (6.3)	EE014-20009
12	1.00" (25.4)	1.15" (29.2)	1.50" (38.1)	0.25" (6.3)	EE014-20010
18	1.00" (25.4)	1.15" (29.2)	2.00" (50.8)	0.25" (6.3)	EE014-20011
30	1.50" (38.1)	1.73" (43.9)	2.25" (57.1)	0.38" (9.6)	EE014-20012
47	2.00" (50.8)	2.31" (58.7)	2.50" (63.5)	0.38" (9.6)	EE014-20013

Material: Aluminum 2024
Stainless Steel version available on special order.
Consult factory.

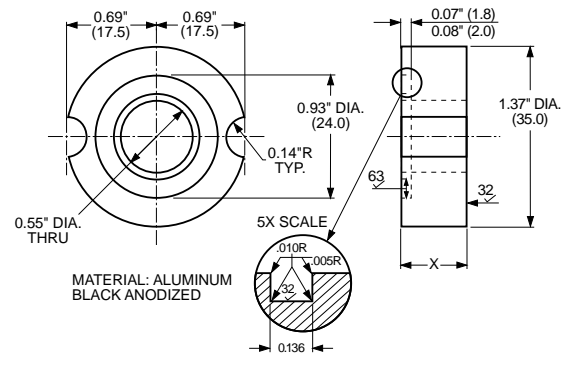
MOUNTING NUTS



I.D.	Mounting Nuts					Lock Washer Black, Serrated
	Dimensions			Model No.		
	A	B	C	Metal	Plastic	
3/4-20	1.06" (26.9)	1.22" (30.9)	0.16" (4.1)	EE154-80001*	-	-
8mm	0.51" (13.0)	0.58" (14.7)	0.16" (4.1)	EE013-80011	EE013-80000	-
12mm	0.67" (17.0)	0.77" (19.5)	0.22" (5.6)	EE013-80003	EE013-81003	EE100-00139
18mm	0.94" (23.8)	1.06" (26.9)	0.16" (4.1)	EE013-80002*	EE013-81002	EE100-00137
30mm	1.44" (36.6)	1.66" (42.2)	0.19" (4.8)	EE013-80001*	EE013-81001	EE100-00138
47mm	2.00" (50.8)	2.20" (55.9)	0.20" (5.1)	EE013-80004	-	-

*Quantity one (1) per package; all others are shipped two (2) per package.

CYLINDRICATOR® SENSOR SPACER KITS



Kits include two mounting bolts and O-Ring. Replacement O-Ring is EE972-19306 (Equivalent to Parker # 2-116V709-90). Specify spacer height.

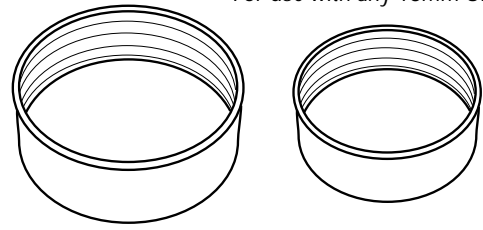
NOTE: Please consult factory before using spacer kits with LPR Cylindricator® sensors.

Dimension "X"	Model No.
0.19"	EE972-01827
0.25"	EE972-01822
0.31"	EE972-01829
0.38"	EE972-01831
0.50"	EE972-01820

TEFLON® CAPS

Repel weld slag; increase sensor life.

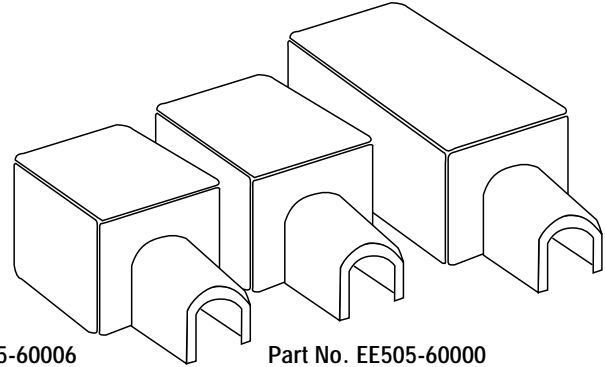
- Part No. EE505-60002**
For use with any 18mm Shielded Sensor
- Part No. EE505-60004**
For use with any 18mm Unshielded Sensor



- Part No. EE505-60003**
For use with any 30mm Shielded Sensor
- Part No. EE505-60005**
For use with any 30mm Unshielded Sensor

WELD-SPLATTER RESISTANT COVERS

Part No. EE505-60001
For use with EE500-1 Rotatable Rectangular Sensors



- Part No. EE505-60006**
For use with EE500-9 HammerHead Sensors
- Part No. EE505-60000**
For use with EE500-8 25mm Extended Range Sensors



2013 West Meeting Street • Lancaster, SC 29720
1-803-286-8491 • FAX: 1-800-678-6263
www.namcocontrols.com

For technical assistance, call 1-800-NAMTECH